

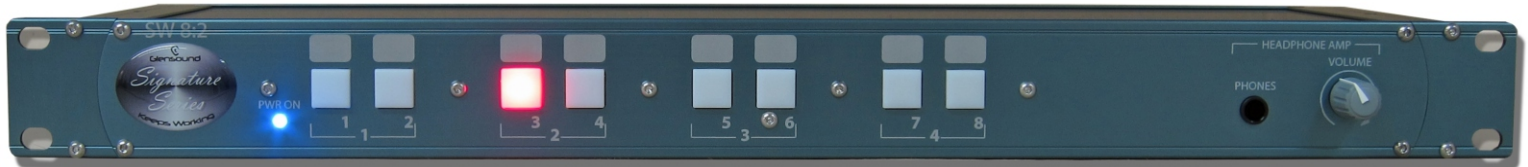
Signature Series

Maximum Resilience Broadcast Audio



Signature SW 8:2

8 Way Mono/ 4 Way Stereo Analogue Audio Switch/ Mixer



SW 8:2 Front



SW 8:2 Rear

FEATURES

8 Balanced Mono/ 4 Balanced Stereo Analogue Audio Inputs

2 Balanced Mono/ 1 Balanced Stereo Analogue Audio Output

Large Front Panel Illuminated Source Selector Switches

Switched or Mixed Outputs

The Signature SW 8:2 is a broadcast specification, 8 mono/ 4 stereo source selector switch/ mixer.

There are 8 balanced audio inputs on 3 pin Neutrik XLR sockets on the rear panel and these can be set globally to be 8 mono inputs or 4 stereo inputs.

On the front panel there are 8 large illuminated buttons for turning sources on/ off. They work as 8 individual switches when in the mono mode and 4 pairs of stereo switches when the SW 8:2 is set to stereo.

Two balanced Neutrik XLR plugs on the rear panel provide the output of the unit, which will either be one single mono channel or 1 stereo channel when the unit is set to 'switch' mode or a mix of all selected sources when set to 'mix' mode.

Three rear panel dip switches allow for setting mix/switch, mono/stereo & output pre/post headphone volume pot.

The front panel features a 6.35mm stereo TRS jack socket for headphones monitoring, with a full size pot to adjust the volume level. This headphone circuit monitors the output audio.

Power is provided by an internal switch mode power supply, with a wide input range. There is also an input for external +/-12v DC power. The +/-12v DC input can be connected to the optional Signature PS1 external DC Master Power Station, for situations where a redundant power supply is desirable.



Glensound
Keeps Working

Signature Series

Maximum Resilience Broadcast Audio



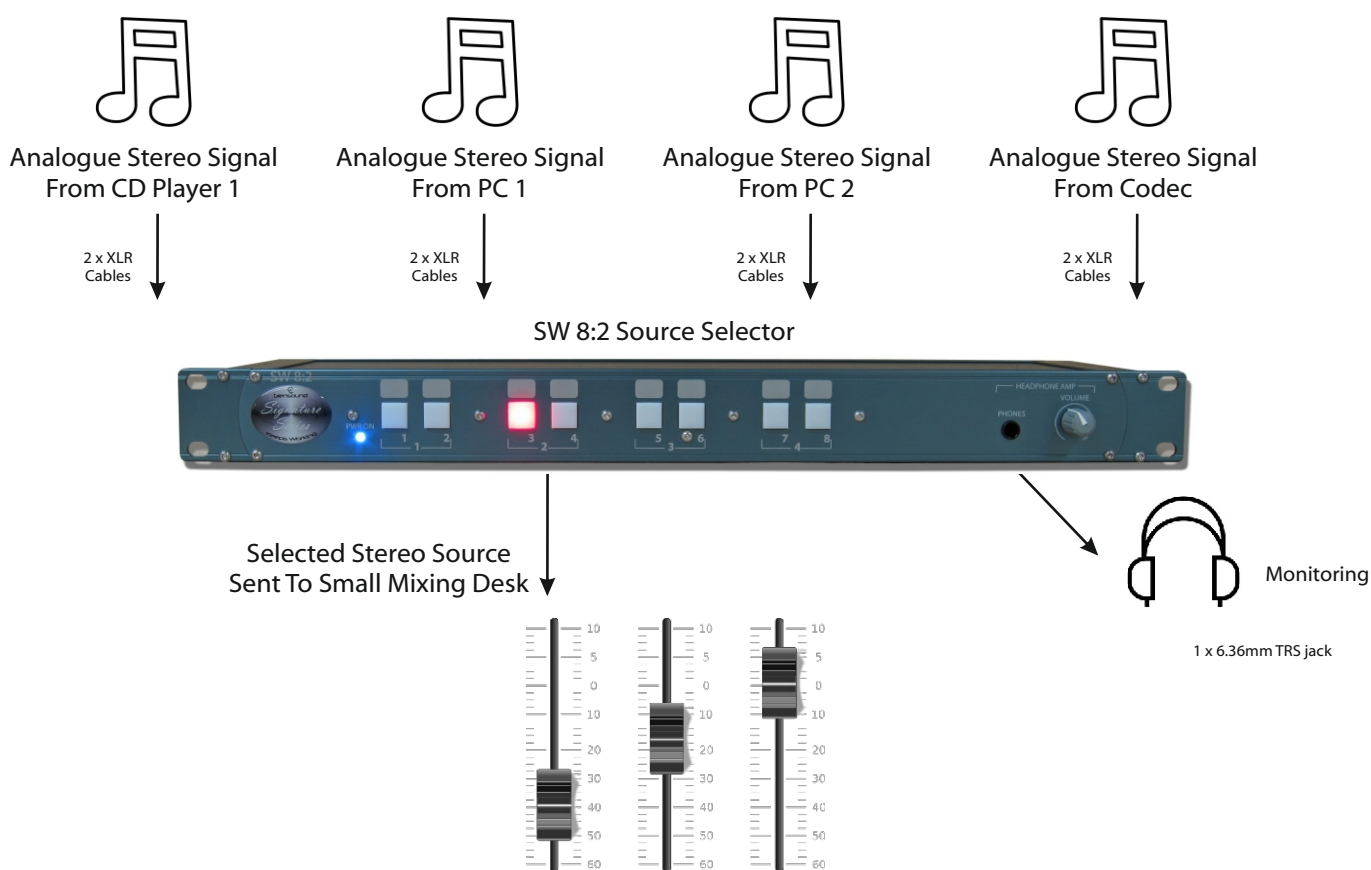
Signature SW 8:2

8 Way Mono/ 4 Way Stereo Analogue Audio Switch/ Mixer

EXAMPLE APPLICATION

Small Studio Source Selector

Adding Multiple Sources to a Small Mixing Desk



A lot of low cost and entry level radio and general purpose mixing desks have great facilities but often lack in input channel numbers.

Adding a Signature SW 8:2 is a convenient and easy way of turning 1 single channel strip on the mixer into 8 mono or 4 stereo mix sources.

This is normally a much more cost effective solution for adding extra occasional use channels to a desk than buying extra channel strips for the desk itself.

Being a Glensound Signature unit it is also a much better long term investment than adding extra channels to a low cost desk whose life span may well only be 5 years, whereas Glensound units normally have life spans exceeding 20 years.



Glensound
Keeps Working

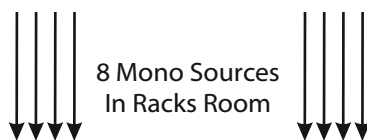
Signature 8:2

8 Way Mono/ 4 Way Stereo Analogue Audio Switch/ Mixer

EXAMPLE APPLICATION

Racks Room Source Selector

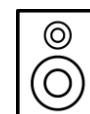
Routing/ Selecting Different Sources to The Racks Room Monitor



SW 8:2 Source Selector



Selected Signal
1 x XLR3



Active
Monitors

1 x 6.36mm jack



Monitoring

Many racks rooms in studio complexes and other technical environments have multiple audio circuits routed to patch panels and transmission/ distribution chains. Monitoring of these circuits with dedicated 1RU multi input broadcast monitoring subracks can be expensive and often a little limited by the small size and poor performance of 1RU rack loudspeakers.

The alternative is to use the 8:2 source selector and your choice of standard active monitors which will provide a much better audio quality solution and depending upon your monitor choice will also be a much more cost effective solution.

If the rear panel post/pre dip switch is set to post then the front panel volume pot will adjust the output level and act as a loudspeaker volume control.

The front panel headphone output also provides another solution to monitoring the sources if no monitor loudspeakers are required.



Signature Series

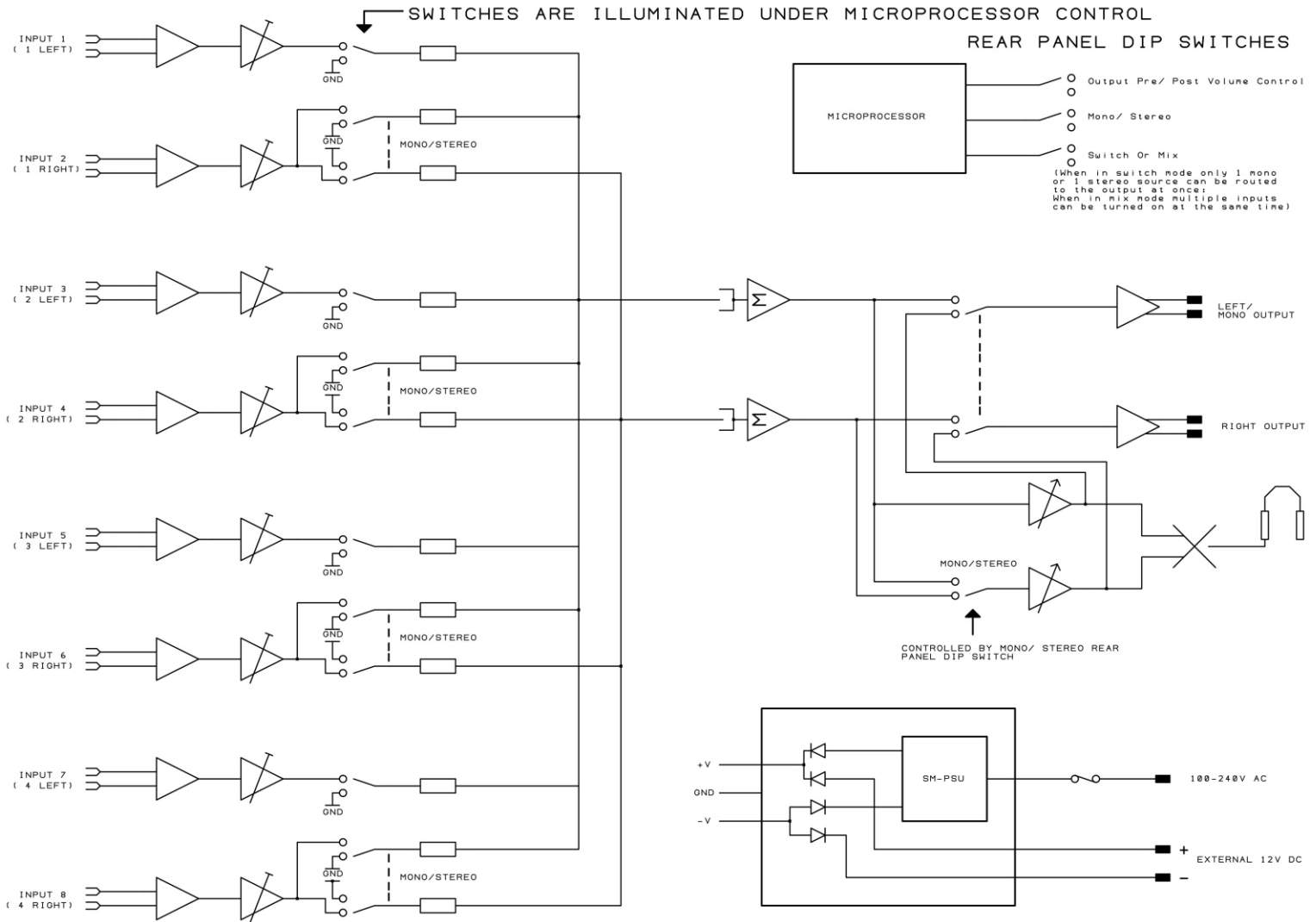
Maximum Resilience Broadcast Audio



Signature 8:2

8 Way Mono/ 4 Way Stereo Analogue Audio Switch/ Mixer

BLOCK DIAGRAM



Glensound
Keeps Working

Signature Series

Maximum Resilience Broadcast Audio



Signature SW 8:2

8 Way Mono/ 4 Way Stereo Analogue Audio Switch/ Mixer

SPECIFICATION

AUDIO INPUTS - ANALOGUE

Maximum Input Level

+28dBu

Input Impedance

47k ohm balanced, 23k ohm unbalanced

Balanced Input Type

Sophisticated electronically balanced (can be wired unbalanced) on Neutrik XLR connectors

Input Gain Control

+10/-10dB

AUDIO OUTPUTS - ANALOGUE

Output Impedance

<50 ohms

Balanced Output Connectors

Neutrik 3 pin XLR plugs

Noise (1 source selected)

>-86dBu RMS 22-22kHz

Frequency Response

<-0.5dB 25Hz - 20kHz

THD+Noise

< 0.008% @ 1kHz

Interchannel Cross Talk

>78dB 100Hz to 15kHz

Maximum Output Level

+24dBu

HEADPHONE OUTPUT

Output Gain Range

+10dB to off

Headphone Impedance

32-1000 ohms

Maximum Output Level

+17dB into 600 ohms

POWER

Mains Input

Filtered IEC, 100 to 240VAC
47 - 63Hz

AC Consumption

4.3 Watts @ 230VAC

DC Input

4 Pin Neutrik XLR plug +/- 12V

DC Consumption

+12V=88mA, -12V=35mA

Internal Mains Fuse

20mm 1A Anti Surge

PHYSICAL

Size

445 x 163 x 44mm (LxDxH) no rack ears
482mm 19" (1RU) with rack ears

Weight

1.35kg

Mechanics

All aluminium construction, anodized and laser etched

Shipping Carton

Rugged export quality cardboard carton
610 x 420 x 130mm LxDxH

Shipping Weight

2.8kg



Signature Series

Maximum Resilience Broadcast Audio



Signature Series Standard Features

STANDARD FEATURES

19" Rack Mount Ears



A Signature unit can rack mount in a 1U 19" rack, regardless of the size of the unit. Rack ears are included as standard with every unit.

Front Or Rear Mounting



A Signature unit can be rack mounted via the front panel or if it is more convenient, via the rear panel by simply swapping the rack ears over.

Side Wings For Flat Surface Fixing



A Signature unit has side wings with mounting holes at the top and bottom, allowing flush fixing from above **OR** underneath.

Neutral Colour Scheme To Compliment Equipment Areas



Rack Screws Included



Modern Design



Internal Switch Mode AC Power Supply



A Signature unit has an internal switch mode AC power supply, allowing worldwide power connections from 100-240v via an IEC socket.

12V DC Power Connection



All Signature units (except PS1) have a 4 pin XLR $\pm 12V$ DC socket for connection to the PS1 Power Station. This can act as the primary or backup power source.

Quick Find Manual



A Signature unit has a QR code attached. This can be scanned to simply and quickly locate the manual and technical information.

CONTACT

GlenSound
6 Brooks Place, Maidstone
Kent, UK, ME14 1HE
Tel: +44 (0)1622 753 662
Web: www.glenSound.co.uk
Email: sales@glenSound.co.uk

